



**Electric Pressure Washer
Item No. BM801700
Manufacturing No. 090079274
Replacement Parts List**

OWT INDUSTRIES, INC.

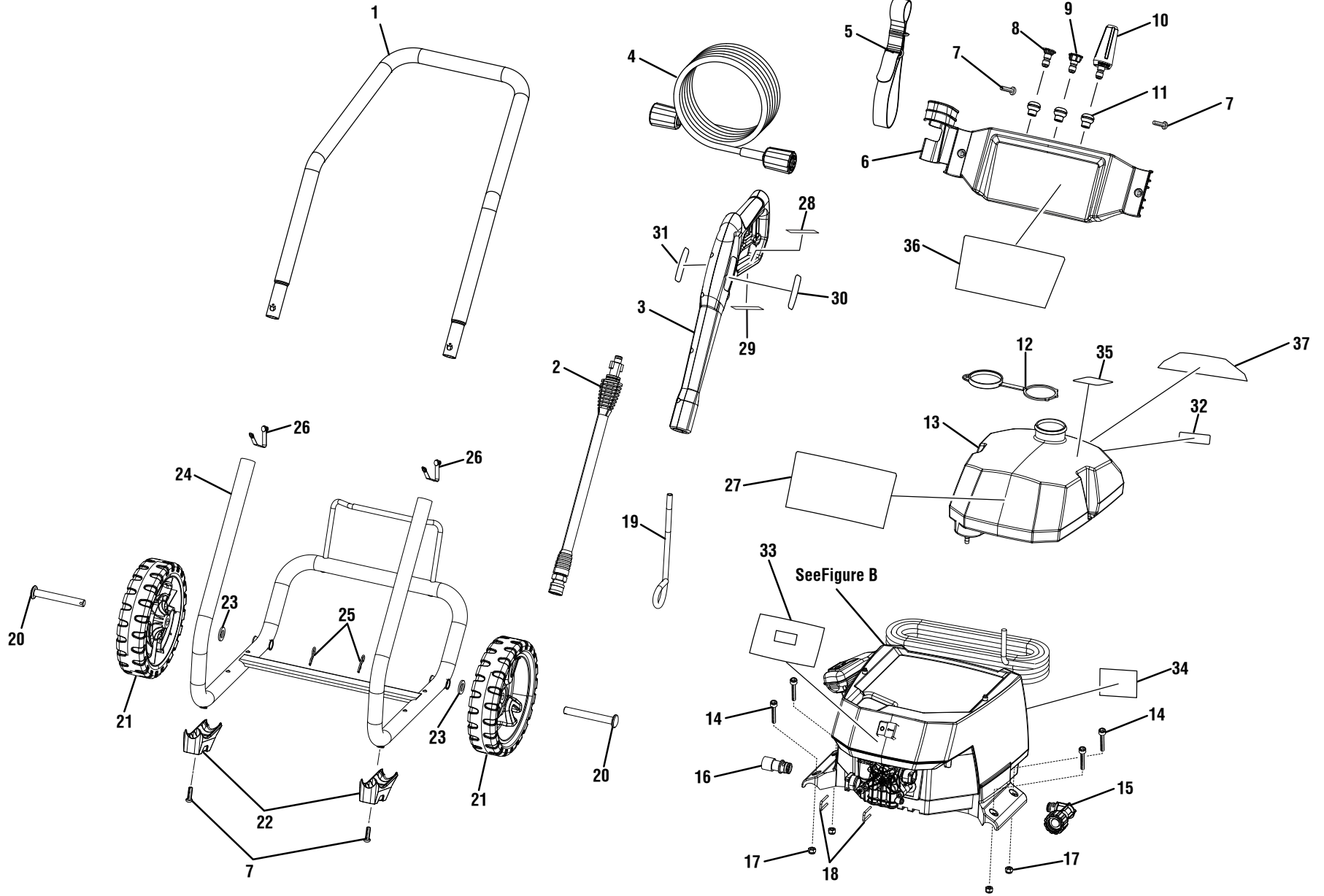
P.O. Box 35, Highway 8

Pickens, SC 29671

1-800-726-5760

www.blackmaxtools.com

BLACKMAX ELECTRIC PRESSURE WASHER – ITEM NO. BM801700



BLACKMAX ELECTRIC PRESSURE WASHER – ITEM NO. BM801700

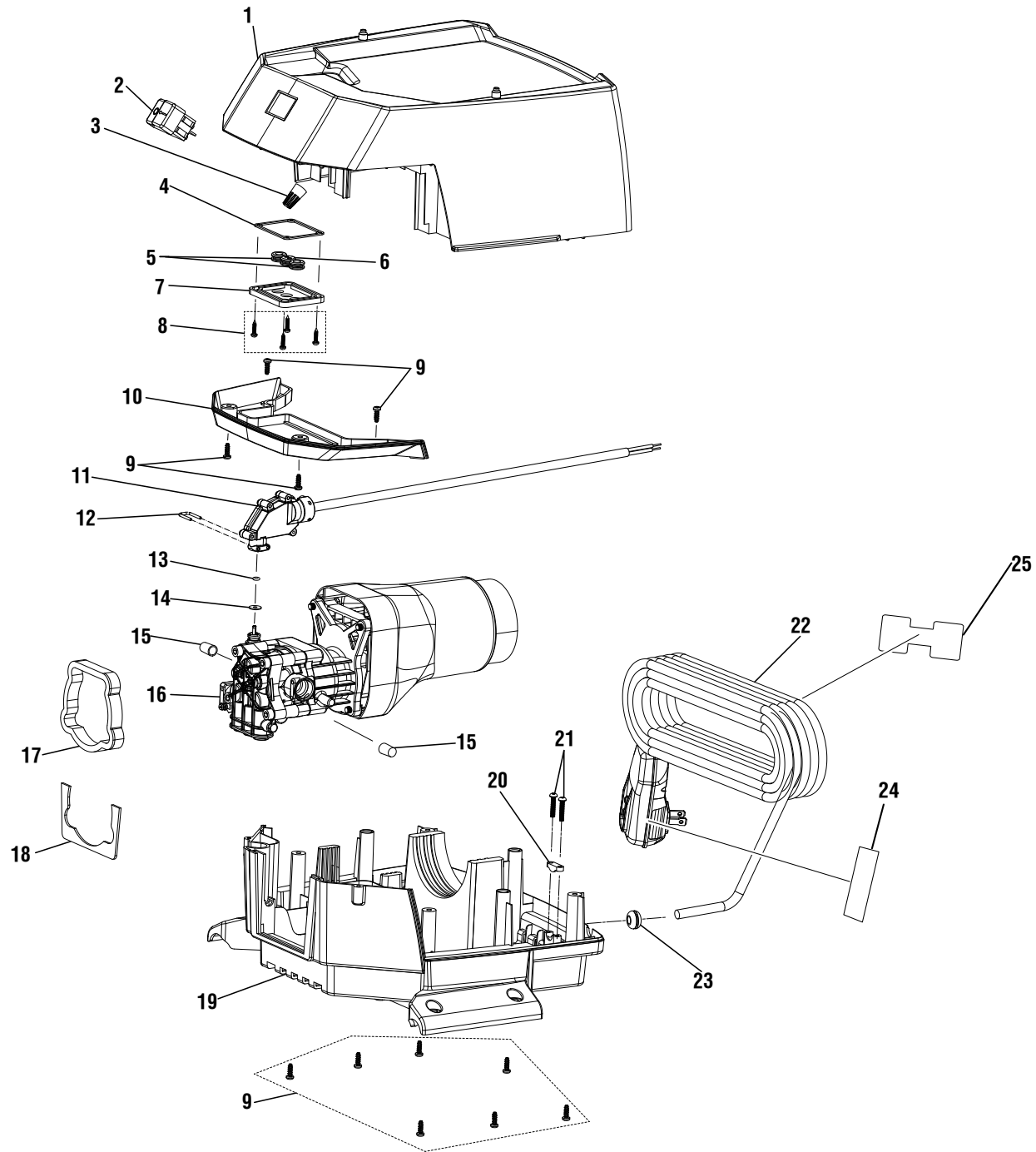
The model number will be found on a label attached to pump housing. Always mention the model number in all correspondence regarding your **PRESSURE WASHER** or when ordering replacement parts.

FIGURE A PARTS LIST

KEY NO.	PART NUMBER	DESCRIPTION	QTY	KEY NO.	PART NUMBER	DESCRIPTION	QTY
1	310224072	Handle Assembly (Inc. Key No. 26)	1	22	523406006	Foot Pad	2
2	308494065	Spray Wand	1	23	678889003	Washer (OD12.5 x ID24 x 2t).....	2
3	308760041	Trigger Handle.....	1	24	308582062	Frame Tubing	1
4	308835065	Hose.....	1	25	678238002	Hitch Pin.....	2
5	310801004	Hose Storage Strap	1	26	308421002	Spring Clip w/Button.....	2
6	518790022	Performance Panel	1	27	940779146	Performance Label.....	1
7	660481019	Bolt (M6 x 20 mm, Philips Pan Hd.).....	4	28	940904003	Trigger Handle Rating Label.....	1
8	308706013	Soap Nozzle.....	1	29	940324024	Trigger Handle Warning Label (French/Spanish).....	1
9	308698028	15° Nozzle.....	1	30	940786028	Trigger Handle Label.....	1
10	308311014	Turbo Nozzle	1	31	940324030	Trigger Handle Warning Label (English)	1
11	561383021	Nozzle Grommet	3	32	941486009	Inquires Label.....	1
12	310650007	Soap Tank Cap.....	1	33	940698035	On/Off Switch Label.....	1
13	580875018	Soap Tank	1	34	940894025	Danger Icon Label.....	1
14	660481015	Screw (M6 x 40 mm, Hex Hd.).....	4	35	941608005	Detergent Tank Label	1
15	308861007	Inlet Pump Assembly	1	36	940705270	Logo Label	1
16	308862005	Outlet Pump Assembly	1	37	940617148	Quick Start Label	1
17	678460001	Lock Nut (M6).....	4	Not Shown:			
18	678799013	U Clip	2	991000338	Operator's Manual		
19	570728012	Siphon Tube.....	1	991000339	Quick Reference Guide (BM801700)		
20	620599018	Wheel Axle	2				
21	308451054	Wheel	2				

BLACKMAX ELECTRIC PRESSURE WASHER – ITEM NO. BM801700

Figure B



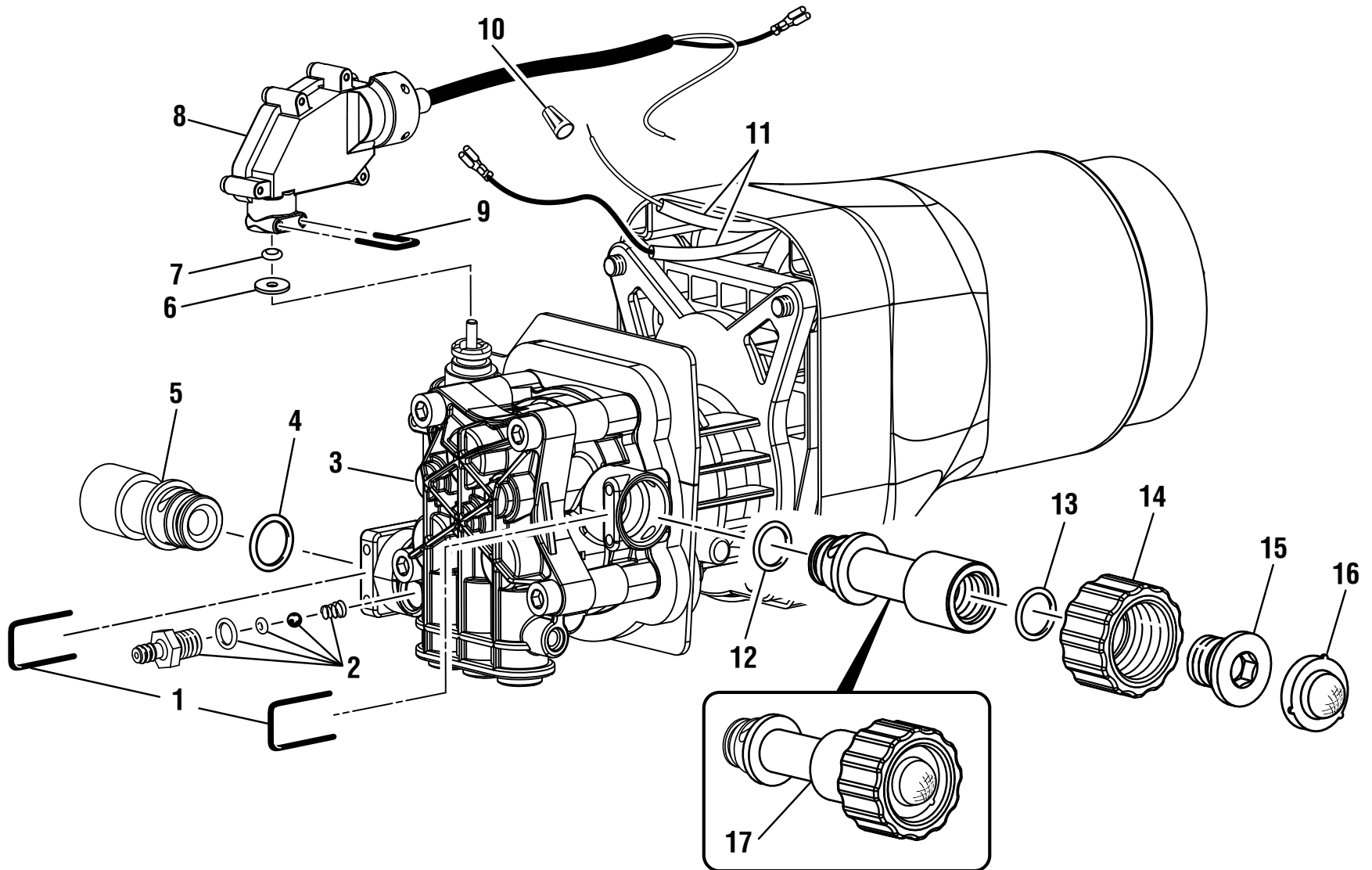
BLACKMAX ELECTRIC PRESSURE WASHER – ITEM NO. BM801700

The model number will be found on a label attached to pump housing. Always mention the model number in all correspondence regarding your **PRESSURE WASHER** or when ordering replacement parts.

FIGURE B PARTS LIST

KEY NO.	PART NUMBER	DESCRIPTION	QTY
1	522032011	Top Motor Housing	1
2	760504007	Switch	1
3	870601001	Wire Nut	1
4	570740016	Switch Cover Gasket	1
5	561383012	Grommet	2
6	561383024	Grommet	1
7	570417002	Switch Cover	1
8	661403015	Screw (M3 x 14 mm)	4
9	661403016	Screw (M4 x 15 mm)	11
10	522038012	Pump Cover	1
11	310870002	Pressure Switch	1
12	678799014	U-clip	1
13	570742071	O-ring	1
14	638397003	Brass Washer	1
15	570570002	Bushing	2
16	308833014	Motor/Pump Assembly	1
17	980414010	Foam	1
18	525894001	Lower Gasket	1
19	522038011	Lower Motor Housing	1
20	522051003	Cord Clamp	1
21	661610008	Screw (M3.5 x 20 mm)	2
22	290426019	Power Cord	1
23	561383025	Grommet	1
24	940603006	Cord Plug Label	1
25	940324013	Cord Wrap Warning Label	1

Figure C



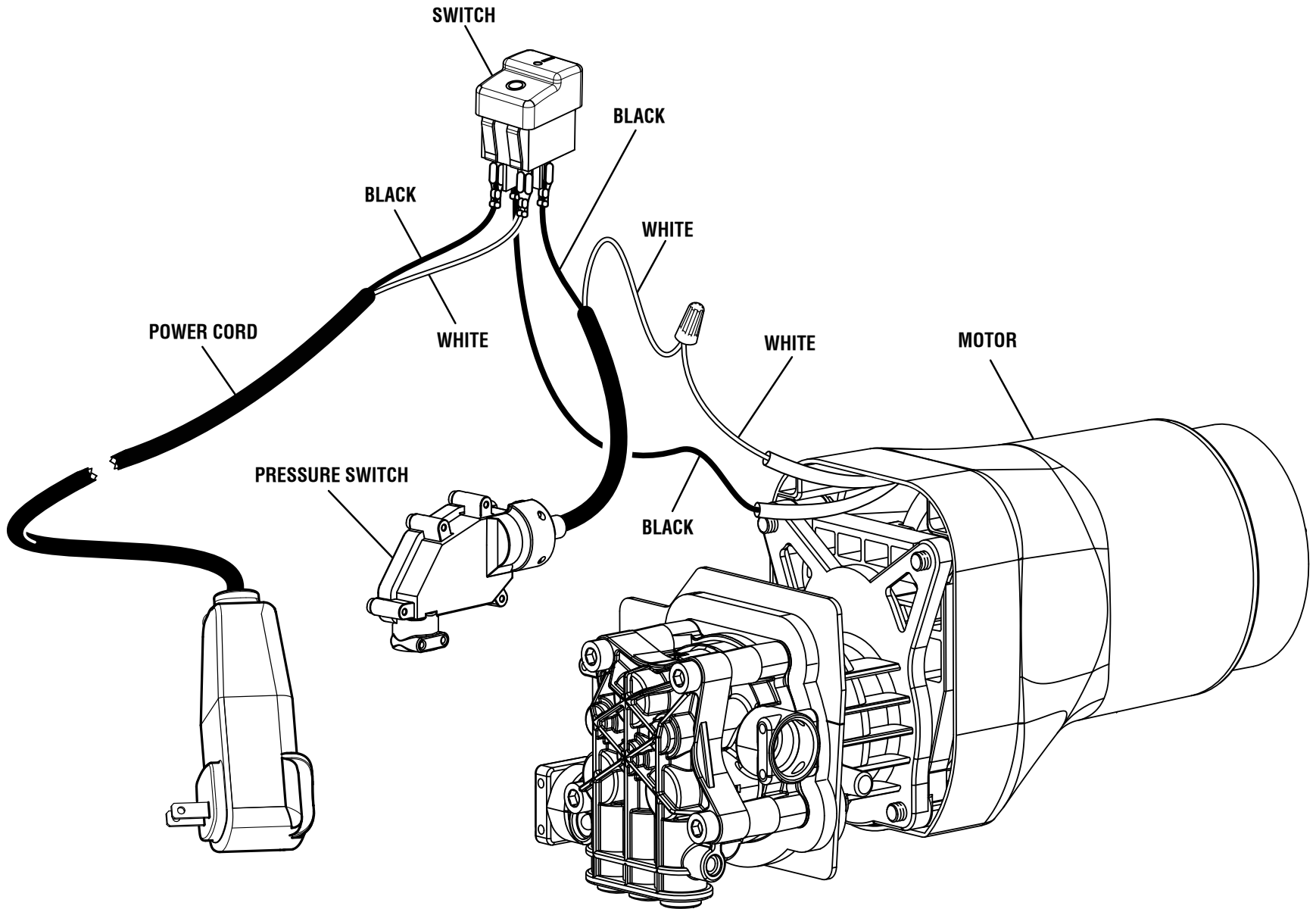
BLACKMAX ELECTRIC PRESSURE WASHER – ITEM NO. BM801700

The model number will be found on a label attached to pump housing. Always mention the model number in all correspondence regarding your **PRESSURE WASHER** or when ordering replacement parts.

FIGURE C PARTS LIST

KEY NO.	PART NUMBER	DESCRIPTION	QTY
1	678799013	“U” Clip.....	2
2	310868001	Detergent Nipple Assembly.....	1
3	308833014	Motor and Pump Assembly.....	1
4	563193001	O-Ring.....	1
5	308862005	Outlet Tube Assembly (Inc. Key No. 4).....	1
6	638397003	Washer (Brass).....	1
7	570742071	O-Ring.....	1
8	310870002	Pressure Switch.....	1
9	678799014	“U” Clip.....	1
10	870601001	Wire Nut.....	1
11	570113003	Sleeve.....	2
12	563194001	O-Ring.....	1
13	570768004	O-Ring.....	1
14	310423002	Water Inlet Connector.....	1
15	310422002	Water Inlet Screw Nut.....	1
16	308103009	Water Inlet Filter.....	1
17	308861005	Inlet Tube Assembly (Inc. Key Nos. 12-16).....	1

BLACKMAX ELECTRIC PRESSURE WASHER – ITEM NO. BM801700



WIRING DIAGRAM